

Describe the learning environment.

The programme is delivered in comfortable training rooms with small number of participants in order to ensure that each has the benefit of the instructor's attention and experience.

Each participant has a powerful CAD workstation with modern graphics capabilities and current, licensed software. Our learning package includes appropriate documentation, exercises and assignments so the participant can undertake essential practice outside the classroom.

What is the programme duration?

The programme is delivered over either two consecutive Fridays or two consecutive Saturdays, from 09:30 a.m. to 04:30 p.m.— time is allocated for both lunch and coffee breaks.

Outline the teaching methodology.

The participant will be guided through the creation of a series of graded 3D sketches and surface models. Emphasis is placed not only on the correct use of various commands, but also on the most appropriate methods for surface model creation. The tutor's extensive experience is made available to the participants at all times throughout the programme.

What is the evaluation mechanism?

At the end of the programme the participant is invited to attempt a short test. The test is comprised of the creation of a surface model using a selection of the tools and techniques taught during the programme. A mark of 70% is required to pass the test.

What is the certification?

Upon successful completion of the programme assignments, the participant is eligible for the award of 'Certificate of Attendance'. The candidate will also have completed a portfolio which may be used as a basis for further work.

What is the programme cost?

The programme is currently priced at €595, inclusive of instruction, programme materials, assignments and administration.

Where is the venue?

Programmes will be held at various location in Dublin and throughout the country, depending on demand. If required, the programmes can be presented at client's premises.

How may I get further information?

Phone 086 357 5825
E-mail educadprofessional@gmail.com
Web www.educadprofessional.com

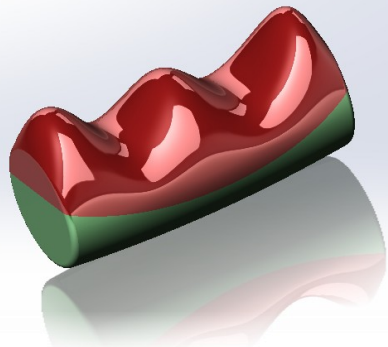
EduCAD Professional

3D Parametric CAD Training

Solidworks Surface Modelling

www.educadprofessional.com
educadprofessional@gmail.com
086 357 5825

LET'S GO
DESIGN



We are pleased to introduce the following EduCAD Professional Programme:

Surface Modelling with Solidworks

This programme, taught by experienced Chartered Manufacturing Engineers and Certified Solidworks Professionals, uses the most recent versions of Solidworks CAD software introduce Engineering Professionals to Solidworks.

What is the Programme Aim?

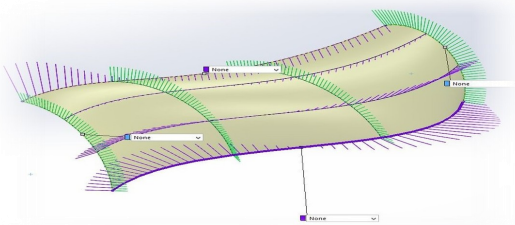
The aim of this programme is provide training / retraining in Solidworks Surface Modelling for those participants working or intending to work in the following industries:

*Design – Engineering – Drafting
Consumer Product – Medical Device
Manufacturing – associated industries*

3D parametric CAD skills are now essential for many professionals employed in design, engineering and drafting roles in industry. This programme introduces Solidworks Surface Modelling and lays the foundations for these skills, facilitating both immediate professional practice and future learning.

What are the programme prerequisites?

Participants should have completed the EduCAD Professional Introductory and Intermediate Programmes, or have equivalent Solidworks Experience

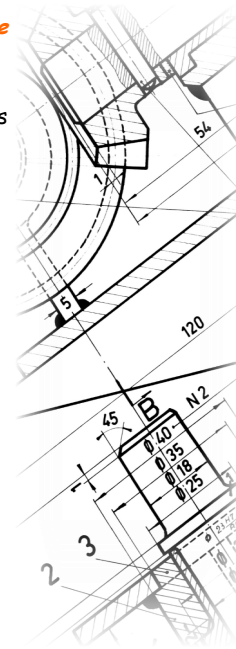


What are the Programme Learning Objectives?

There are four learning objectives as follows:

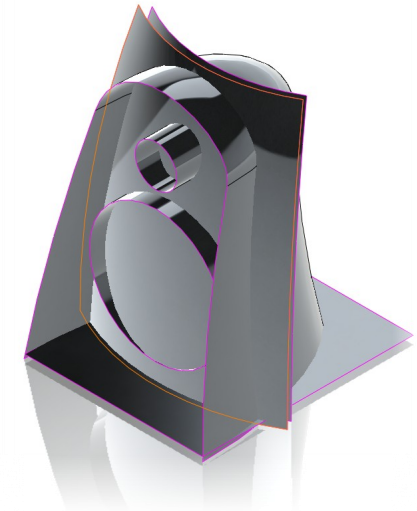
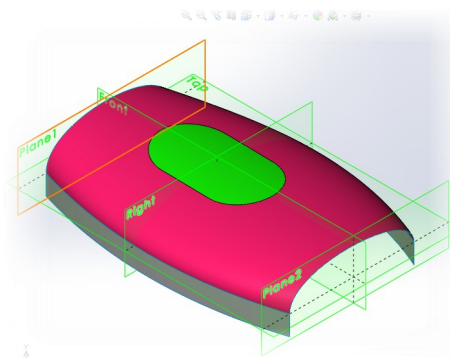
(1) Surface Modelling Setup

- Introduction to 3D Sketches
- Advanced Sketch Tools
- 2D and 3D Splines
- Curve Projection
- Composite Curves
- Curves Through XYZ Points
- Curves Through Reference Points
- Helices
- Spirals



(2) Basic Surface Tools

- Extruded Surface
- Revolved Surface
- Surface Sweeps
- Surface Lofts
- Boundary Surface
- Filled Surface
- Planar Surfaces
- Offset Surfaces
- Ruled Surfaces
- Surface Fillets



(3) Surface Interactions

- Creating a Surface Model from a Solid Model
- Move Face
- Delete Face (including Patch and Fill)
- Extend Surfaces
- Trim and Untrim Surfaces
- Produce Fully Enclosed Volumes
- Knit Surfaces (including Forming Solids)
- Surface Thickening
- Cutting Solids with Surfaces
- Surface Colours

(4) Creation of Surface Models (Including Exercises)

- Planning Prior to Modelling
- Design Intent
- Order of Surface Creation
- Curvature Continuity
- Zebra Stripes
- Decals / Logos